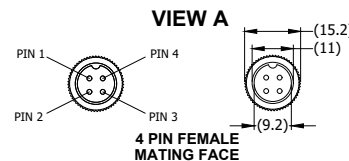
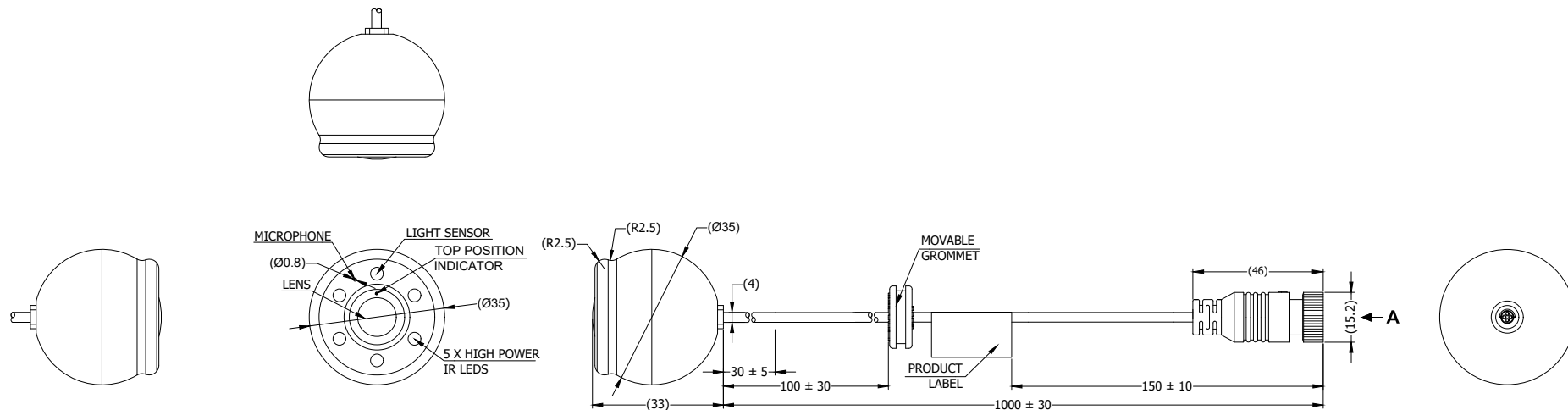


PART NO.	MODEL NO.	BRIEF DESCRIPTION
7147	VBV-3100C-C	MIRROR IMAGE / AHD 1080P 25fps CAMERA
7148	VBV-3101C-C	MIRROR IMAGE / AHD 1080P 30fps CAMERA
7149	VBV-3120C-C	NORMAL IMAGE / AHD 1080P 25fps CAMERA
7171	VBV-3121C-C	NORMAL IMAGE / AHD 1080P 30fps CAMERA

Revision Notes				
R1 -				
APA: -	Drawn:-	Checked:-	Approved:-	Date: -



PIN #	WIRE COLOUR	DESCRIPTION
1	RED	+12V
2	BLACK/SHIELD	GND
3	WHITE	AUDIO
4	YELLOW	VIDEO (AHD)

NOTES:

- REFER TO PRODUCT SPECIFICATION FOR PRODUCT DETAILS.
- REFER TO COMPONENT DRAWINGS FOR COMPONENT DETAILS.
- FOR PACKAGING AND LABELING DETAIL REFER TO LATEST REVISION OF THE MASTER BOM.

PROPRIETARY NOTICE

THIS DESIGN AND TECHNICAL INFORMATION APPEARING ON THIS DRAWING IS THE PROPERTY OF BRIGADE ELECTRONICS, AND IS DISCLOSED IN CONFIDENCE. IT IS NOT TO BE COPIED, REPRODUCED, REVEALED TO OR EXPROPRIATED BY OTHERS, EITHER IN WHOLE OR IN PART WITHOUT THE EXPRESS WRITTEN CONSENT OF BRIGADE ELECTRONICS.

BRIGADE
www.brigade-electronics.com

Assembly Pl Approval W. Wu	Approved by S. LAVER	Checked by S. GOVENDER	Drawn by L. CHEUNG
Angle of Projection	Units mm	Scale N/A	Released 3/2/22
Third Angle	Status RELEASED	VBV-31XXC-C SERIES	
	Part No SEE TABLE	BE-004682-00-22	